



SCORE WHEELS

for use with General Inline Finishing



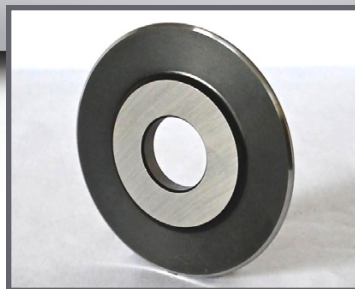
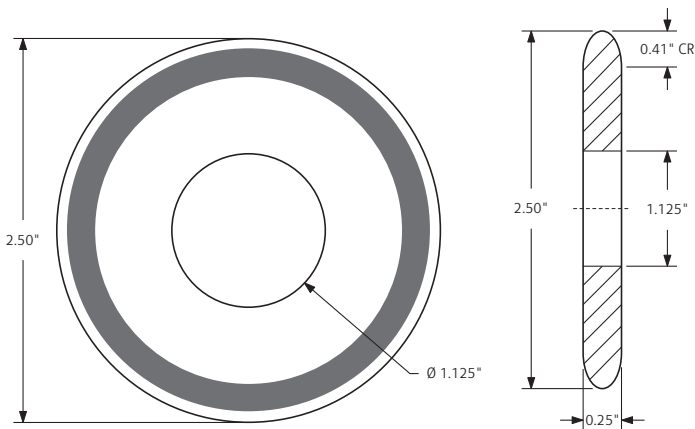
SC-250-031

Call or Email
for Pricing

Score Wheel 2.50" OD

For use with WPM, AGM, Baldwin, ILF, Versa Tech and Vits equipment.

- Standard replacement score wheel.
- 2.50" OD x 1.125" ID x .250" thick, score radius .041".
- Used to reduce gusseting, cracking, wrinkling and marking when plow folding on heavier paper stocks.
- Manufactured to exacting tolerances from premium quality 52100 steel.



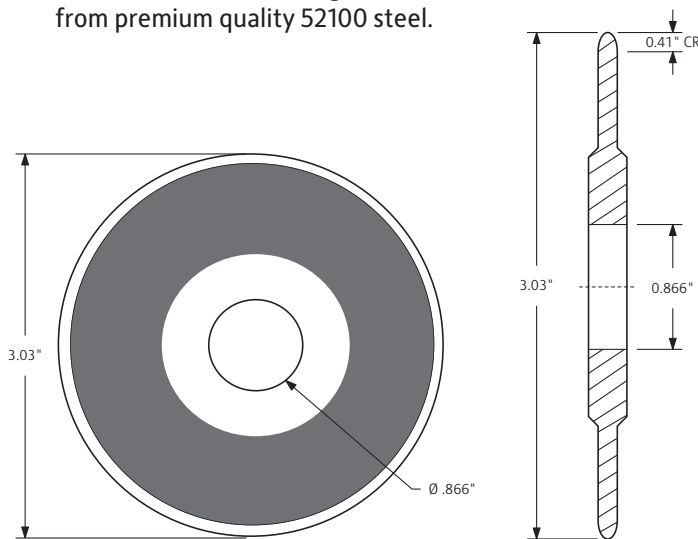
SC-303-866-031

Call or Email
for Pricing

Score Wheel 3.03" OD

For use with Scheffer, Global Web Finishing, and I-Web equipment.

- Standard Cameron style replacement score wheel.
- 3.03" OD x .866" ID x .244" thick, score radius .041"
- Used to reduce gusseting, cracking, wrinkling and marking when plow folding on heavier paper stocks.
- Manufactured to exacting tolerances from premium quality 52100 steel.



CALL (815) 609-5544

to order or to request a quote

All items are stocked and available for immediate shipment

WALT POWLEY INLINE, INC.

12006 Spaulding School Drive ■ Unit 105
Plainfield ■ IL ■ 60585 ■ USA
phone (815) 609-5544
parts@waltpowleyinline.com

WaltPowleyInLineInc.com